



Luxe XPTM

Shower Spray Technology by  PHOENIX

– phoenixtapware.com.au



Scan to view the
full LuxeXP™
Shower collection

LuxeXP™

Patented+ Shower Technology

Naturally Inspired.
Innovatively Crafted.
Luxurious Experience.

Embodying the essence of a luxury shower and designed in-house using patented+ technology, Phoenix's LuxeXP™ Showers have been created to redefine showering through the perfect blend of artistry and engineering. With a lifetime warranty, this new smart shower technology is inspired by nature and crafted with innovation to create a luxurious shower experience.

Behind the Technology

At the heart of LuxeXP™ Showers lies revolutionary patented+ shower technology that combines the power of unique pressure swirl atomiser nozzles and the Tesla valve to create a showering experience like no other. Winner of the prestigious 2023 Red Dot Design Award for innovation in design, LuxeXP™ Showers seamlessly combine beauty and functionality.



Pressure Swirl Atomiser Nozzles

Pressure swirl atomiser technology is widely used in the fuel delivery system for rocket engines.

- The geometry of the LuxeXP™ swirling chamber spins the water, generating centrifugal forces that push it towards the outer wall.
- The spinning motion causes the water to exit the nozzles at high speed, in an almond-shaped sheet of water, which then breaks down into a multitude of water droplets.
- The rapid rotation of the water also self-cleans the low-profile nozzles.



Tesla Valves in the Shower Rose

The 250mm shower rose incorporates Tesla valves, introducing a new dimension to shower technology.

- The pattern of these interconnected channels ensures water flows effortlessly at speed, in one direction, inhibiting reverse flow.
- Using Tesla valves maintains a steady water flow, irrespective of variable water pressure or size of the shower rose.





Three-Function Handpiece

LuxeXP™ shower handpieces showcase a robust push-button mechanism that effortlessly toggles between normal, massage, and multi-flow settings.



Normal
Spray



Massage
Spray



Multi-Spray
Normal / Massage

Variety in Choice & Selections

LuxeXP™ Showers offers two modern shower designs to suit any preference. Choose from Oxley, a soft square rail design, or Ormond, a round rail design, to seamlessly integrate into your bathroom space. Available in five of our renowned finishes, LuxeXP™ Showers allow a cohesive look in any bathroom style.



Providing a comprehensive suite of showers, each piece in the collection has been meticulously designed and considered to provide a touch of luxurious indulgence to your bathroom space.

LuxeXP's manufacturing process involves rigorous testing of all moving parts, including the premium brass sliders, rails and brackets. With a lifetime warranty on all LuxeXP™ Showers, homeowners gain peace of mind and confidence in their choice of a high-quality product.



Lifetime
Warranty Product & Parts



Designed
in Australia
by Phoenix



Ormond Hand Shower and High-Rise Shower Arm & Rose
 Vivid Slimline Plus Hostess Set and Wall Top Assemblies,
 Vivid Slimline Hand Towel Rail in Brushed Carbon

Ormond

Featuring *LuxeXP*[™]

Introducing the Ormond collection, featuring LuxeXP[™] shower technology, where timeless elegance meets modern design. With its distinctive rounded elements, Ormond adds a touch of sophistication to any bathroom. Crafted with precision and attention to detail, these sleek, curved showers, effortlessly blend form and function.



Chrome



Brushed Nickel



Brushed Carbon



Matte Black



Brushed Gold



Ormond LuxeXP™ Shower Collection



New

Also available
Ormond Compact
Twin Shower



Normal
Spray



Multi-Spray
Normal /
Massage



Massage
Spray

- Features LuxeXP™ Shower Spray Technology
- Fits onto existing 1/2" plumbing or water inlet
- Easy-clean, smooth hose
- Adjustable handpiece height and angle
- Three function, push button handpiece
- AS2845.1 compliant dual check valves
- Available in five finishes



Ormond High-Rise Shower Arm & Rose

Brushed Nickel

609-5300-40

3 Star - 8.5lt/min

WELS REG No. S17643

- Adjustable shower head angle



Ormond Twin Shower

Brushed Nickel

609-6530-40

3 Star - 8.5lt/min (overhead)

7lt/min (handheld)

WELS REG No. S17695

- Top inlet water diverter
- Adjustable bottom pillar for flexible mounting positions
- Brass rail and brackets, metal slider

Ormond Rail Shower

Brushed Nickel

609-6830-40

3 Star - 8lt/min

WELS REG No. S17644

- Adjustable bottom pillar for flexible mounting positions
- Rotary slider for adjustable shower height
- Stainless steel rail, metal brackets and slider

Ormond Hand Shower

Brushed Nickel

609-6630-40

3 Star - 8lt/min

WELS REG No. S17626

- Combination water inlet and bracket
- No drilling required
- Brass bracket

LuxeXP™ Shower Rose 250mm Round

Brushed Nickel

640-5000-40

3 Star - 8.5lt/min

WELS REG No. S17646

- Adjustable shower head angle



Oxley Twin Shower, Gloss MKII Basin / Bath
 Outlet and Shower / Wall Mixer, Gloss Shower
 Shelf and Hand Towel Rail in Brushed Gold

Oxley

Featuring *LuxeXP™*

The cutting edge Oxley shower collection, featuring LuxeXP™ shower technology, allows bold and contemporary design to take centre stage. With its striking square elements, Oxley brings a modern aesthetic to your bathroom space, offering a unique blend of geometric precision and functionality.



Chrome



Brushed Nickel



Brushed Carbon



Matte Black



Brushed Gold



Oxley LuxeXP™ Shower Collection



Oxley High-Rise Shower Arm & Rose

Brushed Carbon
610-5300-31
3 Star - 8.5lt/min
WELS REG No. S17647

- Adjustable shower head angle
- Brass shower arm



Normal Spray



Multi-Spray Normal / Massage



Massage Spray

- Features LuxeXP™ Shower Spray Technology
- Fits onto existing 1/2" plumbing or water inlet
- Easy-clean, smooth hose
- Adjustable handpiece height and angle
- Three function, push button handpiece
- AS2845.1 compliant dual check valves
- Available in five finishes

Oxley Twin Shower

Brushed Carbon
610-6530-31
3 Star - 8lt/min (overhead)
4 Star - 7lt/min (handheld)
WELS REG No. S17625

- Top inlet water diverter
- Adjustable bottom pillar for flexible mounting positions
- Brass rail and brackets, metal slider

Oxley Rail Shower

Brushed Carbon
610-6830-31
3 Star - 8lt/min
WELS REG No. S17657

- Adjustable bottom pillar for flexible mounting positions
- Rotary slider for adjustable shower height
- Brass rail, metal brackets and slider

Oxley Hand Shower

Brushed Carbon
610-6630-31
3 Star - 8lt/min
WELS REG No. S17653

- Combination water inlet and bracket
- No drilling required
- Brass bracket

LuxeXP™ Shower Rose 250mm Round

Brushed Carbon
640-5000-31
3 Star - 8.5lt/min
WELS REG No. S17646

- Adjustable shower head angle

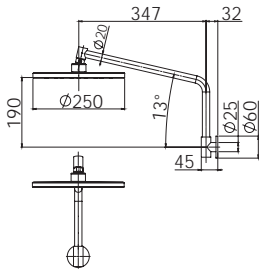


Naturally Inspired.
Innovatively Crafted.
Luxurious Experience.

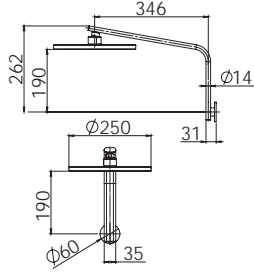
Oxley High-Rise Shower Arm & Rose, Oxley Rail Shower and Vivid Slimline Floor Mounted Bath Mixer in Brushed Nickel

Line Drawings

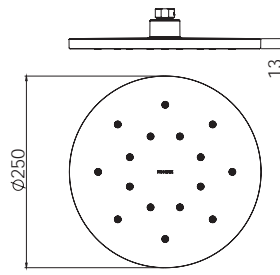
Can't find the line drawing you are looking for? Simply visit the Phoenix website to view the complete range of line drawings and other technical information
phoenixtapware.com.au



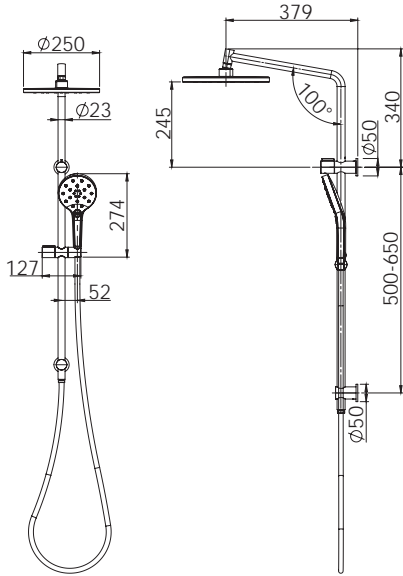
609-5300



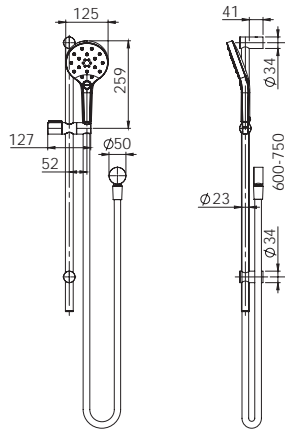
610-5300



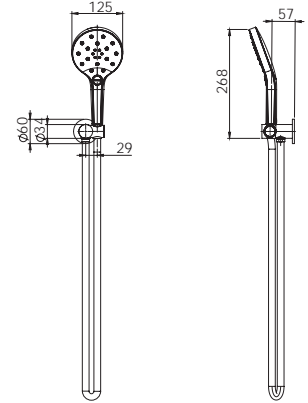
640-5000



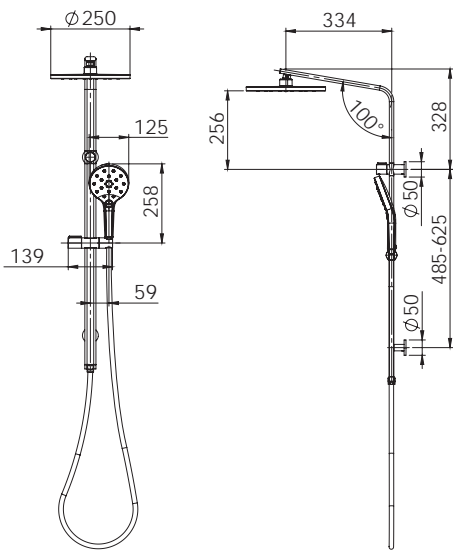
609-6530



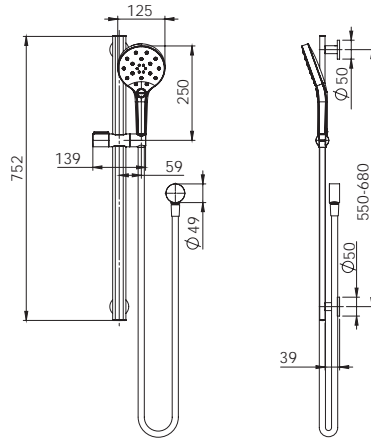
609-6830



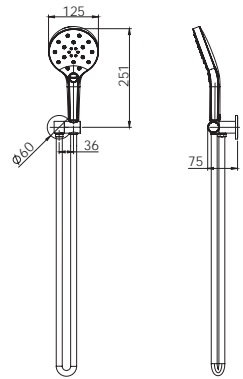
609-6630



610-6530



610-6830



610-6630



For further information and stockists,
visit our website or email
sales@phoenixtapware.com.au

Head Office:
926 Mountain Highway
Bayswater VIC 3153 Australia
Ph: +61 3 9780 4200

Please note:

While we aim to ensure the details in this Catalogue are correct at time of printing, Phoenix Tapware reserves the right to modify specifications shown or delete products from their range without prior notification.

Printed images are a representation only and the colour or finish may vary from the actual product.

Phoenix logo and the 'bird' mark are trademarks of Phoenix Industries Pty Ltd.



phoenixtapware.com.au



DM349

